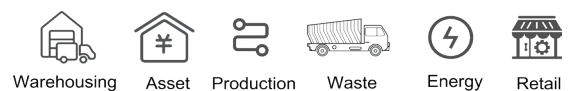




Date:2026/5/22



JT-2510



UHF RFID 1-port Module

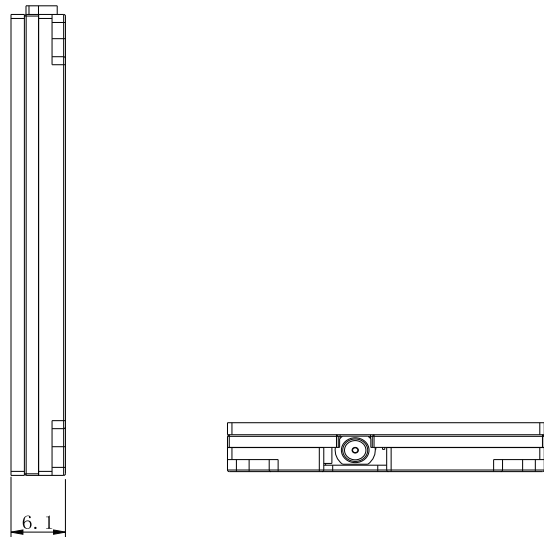
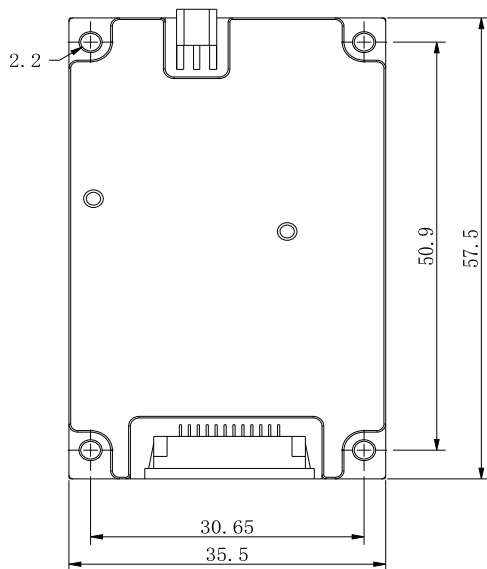
JT-2510 is a professional-grade, one-channel, high-performance UHF radio developed based on the TM200 platform. RFID tag fixed read-write module. With completely independent intellectual property rights, the reader works by default, The frequency band is 860-960MHz, supports ISO18000-6C (EPC C1 GEN2) protocol, It has the characteristics of strong recognition ability of multiple tags, long distance of card reading, high protection performance and convenient installation and configuration.

SPECIFICATIONS

RFID PARAMETERS	
Frequency	860-960 MHz
Protocol	ISO 18000-6C/EPC C1 G2
RF power	13~33dBm(adjustable)
Read rate	>700 times/second
RSSI	Support
Antenna interface	1 MMCX connector
RS232 baud rate	115200 bps (default)
RJ45 baud rate	230400 bps (default)
Power supply	3.7 V~5.0 VDC
Consumption	10W(@Maximum output power 33dBm)
USE ENVIRONMENT	
Operating Temp.	-20° C ~75° C
Storage Temp.	-30° C ~80° C
Humidity	5-90% non-condensing (+25° C)
PHYSICAL PARAMETERS	
Shell material	Aluminum alloy
Dimensions	57.5(L)*35.5(W)*6.1(H)mm
Net weight	24.2g

I/O DEFINITION

NO.	NAME	DEFINITION
PIN1,2	VDD_IN	5.0 VDC
PIN3,4	GND	Power ground (signal ground)
PIN 05	/	/
PIN 06	GPIO1	MODULE_GPIO1
PIN 07	GPIO2	MODULE_GPIO2
PIN 08	GPIO3	MODULE_GPIO3
PIN 09	RXD	MODULE_RXD
PIN 10	TXD	MODULE_TXD
PIN 11	MCU_RSTN	MODULE MUC_RSTN
PIN 12	/	/



Shenzhen Jietong Technology Co.,Ltd

Address : 12/F,Building A, No. 6,Shiben Road,Shiyan Street,Bao'an District,Shenzhen,Guangdong,China-518108

Email : marketing@jtspeedwork.com

Website : www.jtspeedwork.com